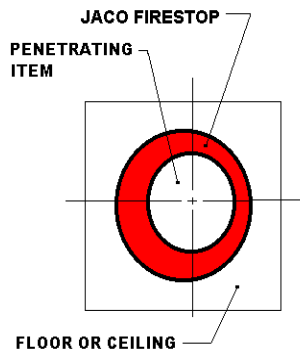


INSTALLATION INSTRUCTIONS

JACO FIRESTOP™ INTUMESCENT RATED 3000°F FOR 8 HOURS

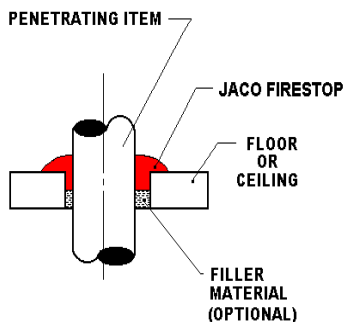
SEALING PENETRATING ITEMS THROUGH
CONCRETE FLOORS AND CEILINGS
VOIDS ONE INCH OR LESS IN WIDTH



Step 1:

All surfaces should be clean, sound and free of loose debris. Moist or damp surfaces are acceptable.

(Optional) a filler material (mineral wool) may be used to reduce the amount of JACO FIRESTOP™ required to fill the void. The filler material should be firmly packed around the penetrating item(s) and against the structural member leaving $\frac{3}{4}$ inch for JACO FIRESTOP™.

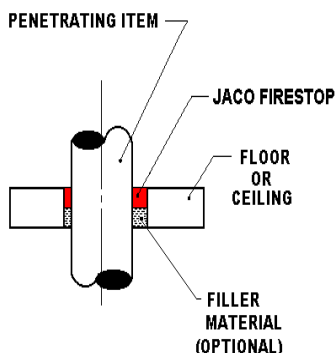


Step 2:

Apply JACO FIRESTOP™ $\frac{3}{4}$ inch deep around the penetrating item(s) and firmly against the concrete surface filling the void. The surface of the installed JACO FIRESTOP™ may be trowelled flush with the surface of the floor or ceiling.

Note :

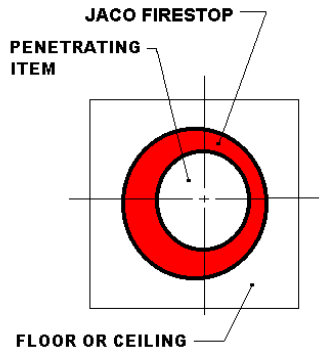
JACO FIRESTOP™ can be sanded and painted with any type of paint. Allow JACO FIRESTOP™ to fully cure before sanding or painting.



**L 723 (ASTM-E84) FLAME INDEX ZERO SMOKE INDEX ZERO
ASTM-E136 NON-COMBUSTIBLE
ASTM-E814 COMPATIBLE
ASTM-E119 COMPATIBLE**

**SEALING PENETRATING ITEMS THROUGH
CONCRETE FLOORS AND CEILINGS
USING A BACKING PLATE FOR ADDED SUPPORT
(RECOMMENDED WHEN THE WIDTH OF THE VOID EXCEEDS ONE INCH)**

Step 1:

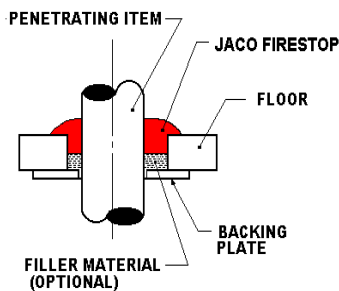


The backing plate should be cut to fit around the penetrating item(s) and extend beyond the clearance opening to allow for adequate securing to the backing plate to the floor or ceiling using mechanical fasteners.

(Optional) a filler material (mineral wool) may be used to reduce the amount of JACO FIRESTOP™ required to fill the void. The filler material should be firmly packed around the penetrating item(s) and against the concrete surface leaving 3/4 inch for JACO FIRESTOP™.

Step 2:

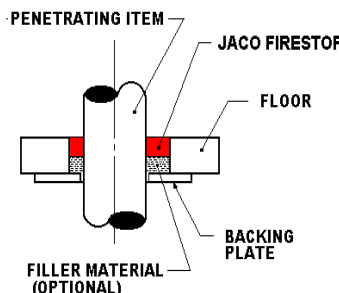
All surfaces should be clean, sound, and free of loose debris. Moist or damp surfaces are acceptable.



Step 3:

Apply JACO FIRESTOP™ 3/4 inch deep around the penetrating item(s) and firmly against the concrete surface filling the void. The surface of the installed JACO FIRESTOP™ may be trowelled flush with the surface of the floor or ceiling.

Note:



JACO FIRESTOP™ can be sanded and painted with any type of paint. Allow JACO FIRESTOP™ to fully cure before sanding or painting.

**UL 723 (ASTM-E84) FLAME INDEX ZERO SMOKE INDEX ZERO
ASTM-E136 NON-COMBUSTIBLE
ASTM-E814 COMPATIBLE
ASTM-E119 COMPATIBLE**

SEALING PENETRATING ITEMS THROUGH CONCRETE AND BRICK MASONRY WALLS (INTERIOR SURFACES ONLY)

Step 1: All surfaces should be clean, sound, and free of loose debris.

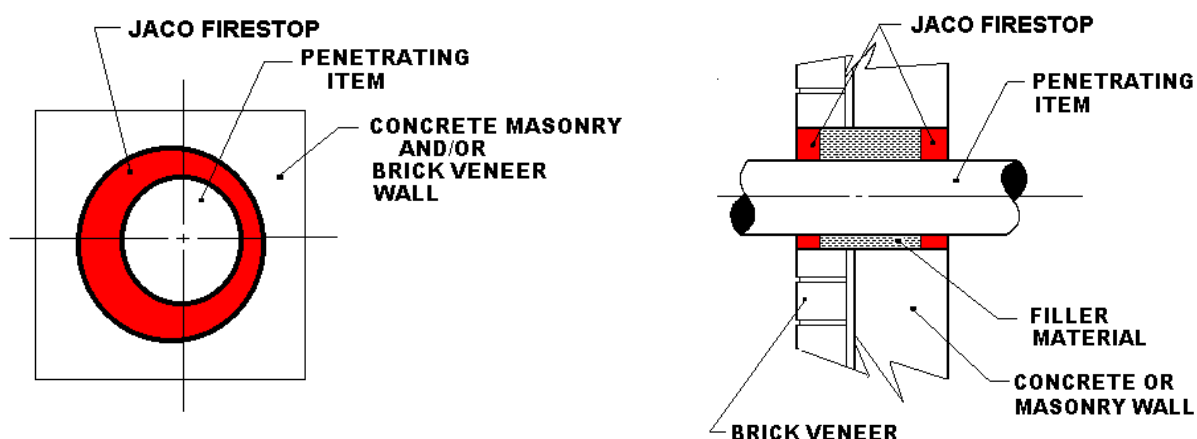
Moist or damp surfaces are acceptable.

Step 2: (Recommended) To reduce the amount of JACO FIRESTOP™ required to fill the void the area between the penetrating item(s) and the clearance opening in the wall. The filler material (mineral wool) should be firmly packed around the penetrating item(s) and against the surfaces of the opening in the structural member leaving $\frac{3}{4}$ inch for JACO FIRESTOP™.

Step 3: Apply JACO FIRESTOP™ $\frac{3}{4}$ inch deep around the penetrating item(s) and firmly against the concrete or brick surface filling the void. The face surface of the installed JACO FIRESTOP™ may be trowelled flush with the surface of the wall.

Note:

JACO FIRESTOP™ can be sanded and painted with any type of paint.
Allow JACO FIRESTOP™ to fully cure before sanding or painting.



UL 723 (ASTM-E84) FLAME INDEX ZERO SMOKE INDEX ZERO
ASTM-E136 NON-COMBUSTIBLE
ASTM-E814 COMPATIBLE
ASTM-E119 COMPATIBLE

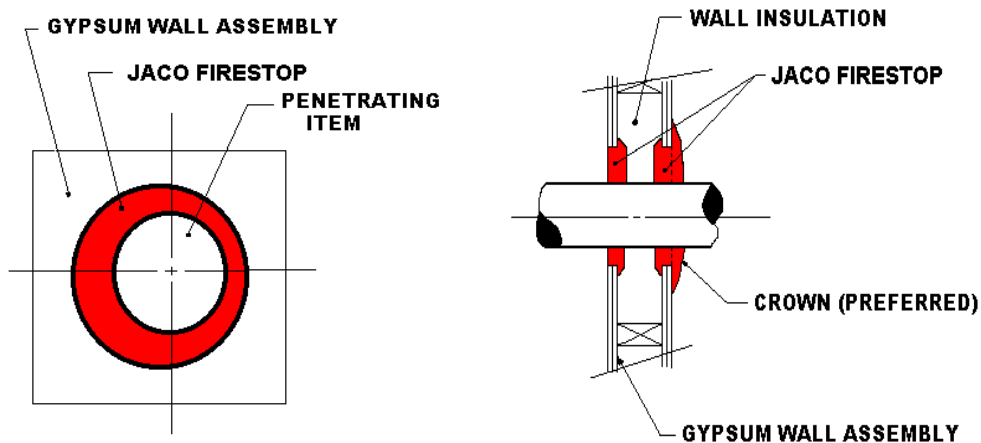
SEALING PENETRATING ITEMS THROUGH INSULATED GYPSUM WALL ASSEMBLIES

Step 1: All surfaces should be clean, dry, and free of loose debris and dust.

Step 2: Apply JACO FIRESTOP™ $\frac{3}{4}$ inch deep around the penetrating item(s) and firmly against the gypsum board filling the void. JACO FIRESTOP™ should be installed to form a "lip" on the interior surface of the gypsum board wall assembly to assure a firm anchor.

The surface of the installed JACO FIRESTOP™ may be trowelled flush with the surface of the gypsum board.

Note: JACO FIRESTOP™ can be sanded and painted with any type of paint. Allow JACO FIRESTOP™ to fully cure before sanding or painting.



UL 723 (ASTM-E84) FLAME INDEX ZERO SMOKE INDEX ZERO
ASTM-E136 NON-COMBUSTIBLE
ASTM-E814 COMPATIBLE
ASTM-E119 COMPATIBLE

SEALING PENETRATING ITEMS THROUGH UNINSULATED GYPSUM WALL ASSEMBLIES

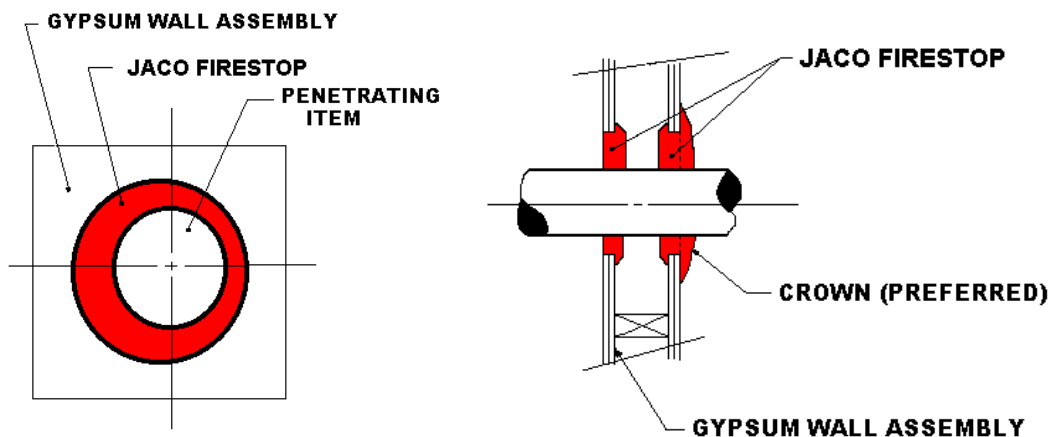
WHEN THE VOID BETWEEN THE PENETRATING ITEM(S) AND THE
GYPSUM BOARD IS ONE INCH OR LESS

Step 1: All surfaces should be clean, dry, and free of loose debris and dust.

Step 2: Apply JACO FIRESTOP™ $\frac{3}{4}$ inch deep around the penetrating item(s) and firmly against the gypsum board filling the void. JACO FIRESTOP™ should be installed to form a "lip" on the interior surface of the gypsum board wall assembly to assure a firm anchor.

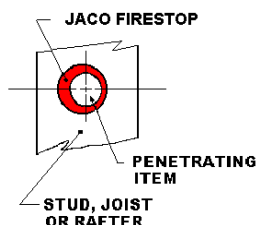
The surface of the installed JACO FIRESTOP™ may be trowelled flush with the surface of the gypsum board.

Note: JACO FIRESTOP™ can be sanded and painted with any type of paint. Allow JACO FIRESTOP™ to fully cure before sanding or painting.



UL 723 (ASTM-E84) FLAME INDEX ZERO SMOKE INDEX ZERO
ASTM-E136 NON-COMBUSTIBLE
ASTM-E814 COMPATIBLE
ASTM-E119 COMPATIBLE

SEALING PENETRATING ITEMS THROUGH WOOD STUDS, JOISTS AND RAFTERS



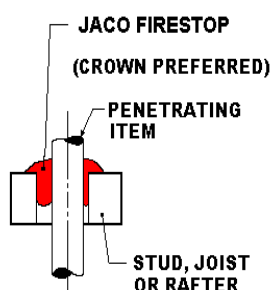
Step 1:

All surfaces should be clean, free of loose debris.
Moist or damp surfaces are acceptable.

Step 2:

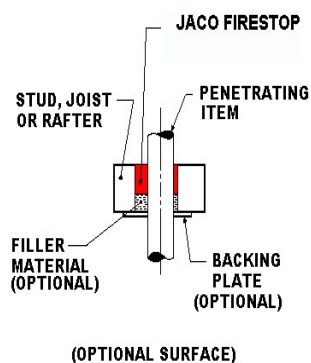
Apply JACO FIRESTOP™ $\frac{3}{4}$ inch deep into around the penetrating item(s) and structural member filling the void and building a slight crown around the penetrating item(s) and over the edges of the clearance opening in the structural member.

IF A BACKING PLATE IS USED FOR ADDED SUPPORT.
(Recommended when the width of the void exceeds one inch)



Step 1:

The backing plate should be cut to fit around the penetrating item(s) and extend beyond the clearance opening to allow for adequate securing of the backing plate to the structural member using mechanical fasteners. (Optional) If a filler material (mineral wool) is used to reduce the amount of JACO FIRESTOP™ required to fill the void, the filler material should be firmly packed around the penetrating item(s) and against the structural member allowing $\frac{3}{4}$ inch for JACO FIRESTOP™.



Step 2:

All surfaces should be clean, sound, and free of debris.
Moist surfaces are acceptable.

Step 3:

Apply JACO FIRESTOP™ $\frac{3}{4}$ inch deep around the penetrating item(s) and firmly against the structural member filling the void and building a slight crown around the penetrating item(s). The installed JACO FIRESTOP™ may be trowelled flush with the surface of the structural member.

Note:

FIRE and DRAFT SEALER™ can be sanded and painted with any type of paint. Allow FIRE and DRAFT SEALER™ to fully cure before sanding or painting.

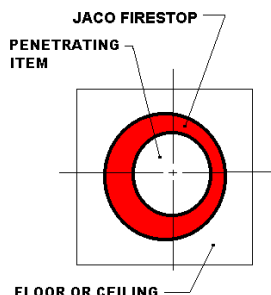
UL 723 (ASTM-E84) FLAME INDEX ZERO SMOKE INDEX ZERO
ASTM-E136 NON-COMBUSTIBLE
ASTM-E814 COMPATIBLE
ASTM-E119 COMPATIBLE

SEALING PENETRATING ITEMS THROUGH WOOD FLOORS AND CEILINGS

VOIDS ONE INCH AND LESS IN WIDTH

Step 1:

All surfaces should be clean, free of loose debris. Moist or damp surfaces are acceptable.



Step 2:

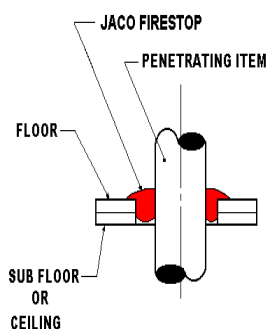
Apply *JACO FIRESTOP*TM $\frac{3}{4}$ inch deep around the penetrating item(s) and firmly against the structural member completely filling the void and building a slight crown around the penetrating item(s) and over the edges of the clearance opening in the structural member.

IF USING A BACKING PLATE FOR ADDED SUPPORT

(Recommended when the width of the void exceeds one inch)

Step 1:

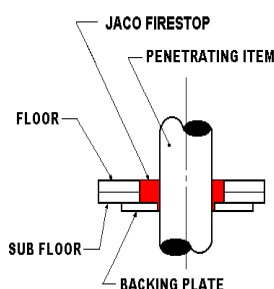
The backing plate should be cut to fit around the penetrating item(s) and extend beyond the clearance opening to allow for adequate securing of the backing plate to the structural member using mechanical fasteners.



(Optional) If a filler material (mineral wool) is used to reduce the amount of *JACO FIRESTOP*TM required to fill the void, the filler material should be firmly packed around the penetrating item(s) and against the structural member allowing $\frac{3}{4}$ inch for *JACO FIRESTOP*TM.

Step 2:

All surfaces should be clean, sound, and free of debris. Moist surfaces are acceptable.



Step 3:

Apply *JACO FIRESTOP*TM $\frac{3}{4}$ inch deep around the penetrating item(s) and firmly against the structural member completely filling the void. The surface of the installed *JACO FIRESTOP*TM may be trowelled flush with the surface of the floor or ceiling.

Note:

*JACO FIRESTOP*TM can be sanded and painted with any type of paint. Allow *JACO FIRESTOP*TM to fully cure before sanding or painting.

UL 723 (ASTM-E84) FLAME INDEX ZERO SMOKE INDEX ZERO
ASTM-E136 NON-COMBUSTIBLE
ASTM-E814 COMPATIBLE
ASTM-E119 COMPATIBLE